

ECZ930F

1080p Full HD True Day / Night
Outdoor IR Bullet Camera



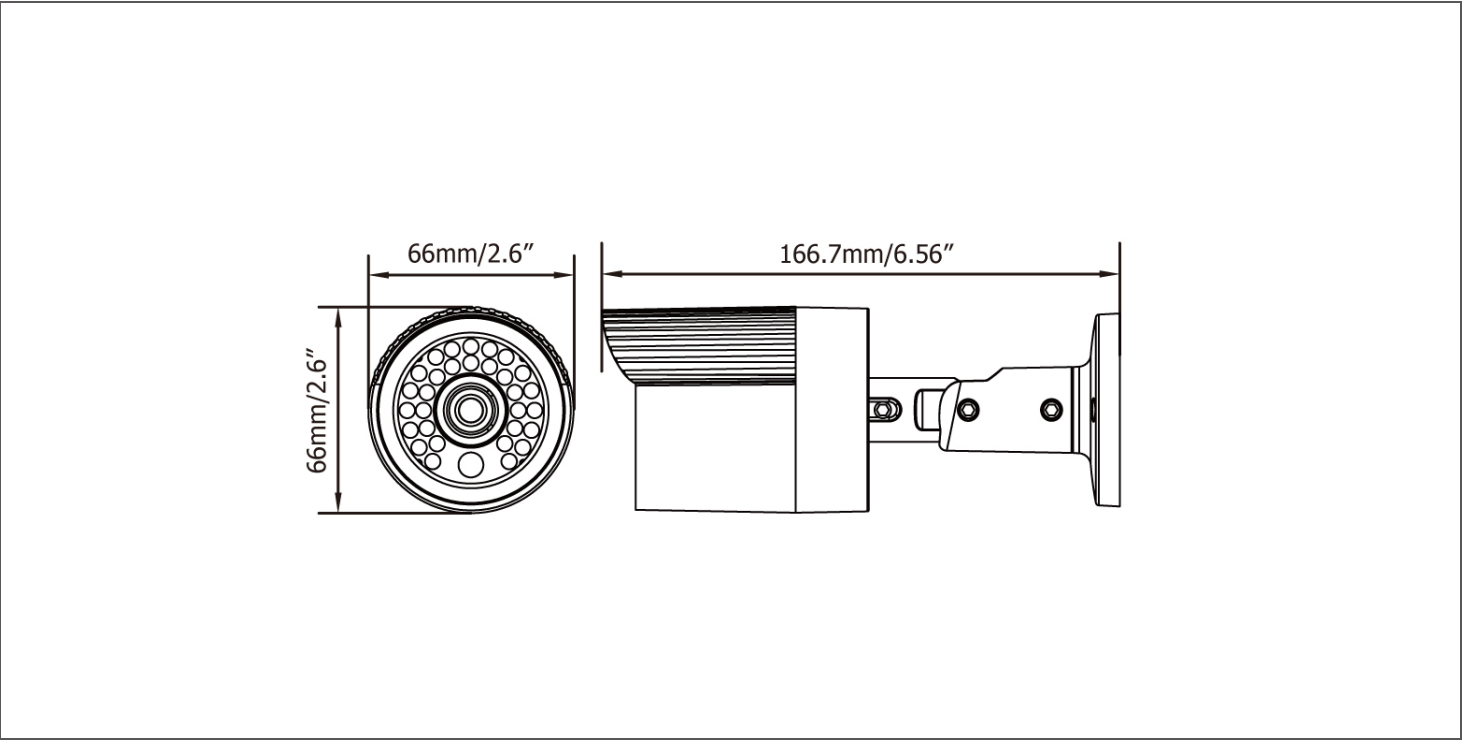
eZ.HD



Features

- 1080p Full HD with high flexibility and performance for astounding image
- 1/2.9" Sony 2.24MP CMOS sensor, delivering amazing high sensitivity
- Astounding image quality from the 3.6mm / 6mm lens
- Extended IR range of up to 15m / 50ft. with 30 LEDs (Depending on scene IR reflectivity)
- D-WDR to improve the visibility under high contrast scene
- 3D-Noise Reduction ensures less blurry moving subjects, vivid and high SN ratio images even under low light environments
- Supports 1080p, 720p & 960H analog signal output, which can be easily switched using OSD Joystick
- The flexible angle viewing with its 3-Axis rotation design allows wall or ceiling mounting
- Internal wire system with anti-cut bracket
- Supports ceiling mount and wall mount
- eZ Controller function: Control camera OSD settings and PTZ operation directly from DVR end

Dimensions



Accessory



Specifications

Model No.	ECZ930F		
Pickup Device	1/2.9" Sony 2.24MP CMOS	OSD Languages	English / Simplified Chinese / Traditional Chinese / German / French / Italian / Spanish / Polish / Russian / Portuguese / Netherlands / Turkish
Video Format	NTSC / PAL (Can be switched via OSD)	DNR	2DNR / 3DNR, Off
Effective Pixels	1920 (H) x 1080 (V)	Defog	Off / Auto
Scanning System	Progressive Scan	D-WDR	On / Off / Auto
Sensitivity	0 Lux with IR On	Sens-up	Off / Auto (x2 ~ x30)
Electronic Shutter	Auto / Manual (x30 ~ 1/50,000) / FLK	Mirror	Off / Mirror / V-Flip / Rotate
Gamma Correction	0.45	Motion Detection	Off / On for 4 selectable zones
Lens Type	3.6mm / 6mm fixed lens	Privacy Mask	Off / On for 4 selectable zones
BLC	Off / BLC / HS BLC Selectable	Environmental	IP66 Weather Resistant
AGC	0 ~ 15 Levels	Power Source	12VDC
White Balance	ATW / AWC-SET / Indoor / Outdoor / Manual / AWB	Power Consumption	3W max.
Sync. Mode	Internal	Operating Temperature	-10°C ~ 50°C / 14°F ~ 122°F
Day/Night	Ext, Auto, Color, B/W	Humidity	Less than 80%
UTC Function	Supported	Dimensions	166.7 x 66 x 66mm / 6.56" x 2.6" x 2.6"
IR LEDs	30 Units	Weight	400g / 0.88lb
IR Distance	Up to 15m / 50ft. (Depending on scene IR reflectivity)	Certificates	CE, FCC, RoHS

Find Out More At:

EverFocus Taiwan HQ:
 TEL: +886 2 2698 2334
www.everfocus.com.tw
marketing@everfocus.com.tw

EverFocus USA - California:
 TEL: +1 626 844 8888
www.everfocus.com
sales@everfocus.com

International Branch Offices:
 Germany, China, Japan

