

## ED930F

1080p Full HD True Day / Night  
Indoor IR Dome Camera

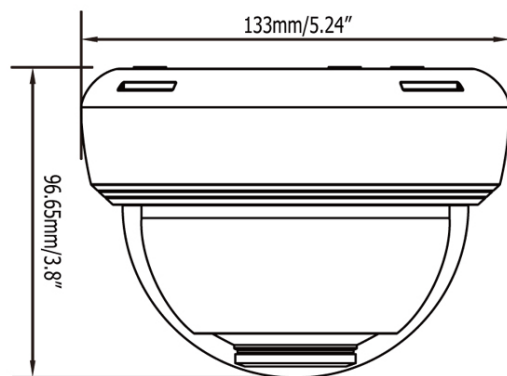
eZ.HD



## Features

- 1080p Full HD with high flexibility and performance for astounding image
- 1/2.9" Sony 2.24MP CMOS sensor, delivering amazing high sensitivity
- Varifocal 2.8-12mm DC iris lens to capture the desired field of view
- Extended IR range of up to 30m / 100ft. with 18 LEDs (depending on scene IR reflectivity)
- D-WDR to improve the visibility under high contrast scene
- 3D-Noise Reduction ensures less blurry moving subjects, vivid and high SN ratio images even under low light environments
- Supports 1080p, 720p & 960H analog signal outputs, which can be easily switched using OSD Joystick
- The flexible angle viewing with its 3-Axis rotation design allows wall or ceiling mounting
- Easy lock installation by screwing the base plate to the surface and then locking the camera to the base plate without mounting screws
- eZ Controller function: Control camera OSD settings and PTZ operation directly from DVR end

## Dimensions



## Accessory

BA-ED05

L-Shaped Plastic bracket



# Specifications

Model No.	ED930F		
Pickup Device	1/2.9" Sony 2.24MP CMOS	OSD Languages	English / Simplified Chinese / Traditional Chinese / German / French / Italian / Spanish / Polish / Russian / Portuguese / Netherlands / Turkish
Video Format	NTSC / PAL (Can be switched via OSD)	DNR	2DNR / 3DNR, Off
Effective Pixels	1920 (H) x 1080 (V)	Defog	Off / Auto
Scanning System	Progressive Scan	D-WDR	On / Off / Auto
Sensitivity	0 Lux with IR On	Sens-up	Off / Auto (x2 ~ x30)
Electronic Shutter	Auto / Manual (x30 ~ 1/50,000) / FLK	Mirror	Off / Mirror / V-Flip / Rotate
Gamma Correction	0.45	Motion Detection	Off / On for 4 selectable zones
Lens Type	DC Iris 2.8-12mm, F1.4	Privacy Mask	Off / On for 4 selectable zones
BLC	Off / BLC / HS BLC Selectable	Environmental	Indoor
AGC	0 ~ 15 Levels	Power Source	12VDC / 24VAC~
White Balance	ATW / AWC-SET / Indoor / Outdoor / Manual / AWB	Power Consumption	12VDC: 3.7W max. / 24VAC~: 3.5W max.
Sync. Mode	Internal	Operating Temperature	-10°C ~ 50°C / 14°F ~ 122°F
Day / Night	Ext, Auto, Color, B/W	Humidity	Less than 80%
UTC Function	Supported	Dimensions	133 x 96.6mm / 5.24" x 3.8"
IR LEDs	18 Units	Weight	360g / 0.79lb
IR Distance	Up to 30m / 100ft. (Depending on scene IR reflectivity)	Certificates	CE, FCC, RoHS

## Find Out More At:

**EverFocus Taiwan HQ:**  
 TEL: +886 2 2698 2334  
[www.everfocus.com.tw](http://www.everfocus.com.tw)  
[marketing@everfocus.com.tw](mailto:marketing@everfocus.com.tw)

**EverFocus USA - California:**  
 TEL: +1 626 844 8888  
[www.everfocus.com](http://www.everfocus.com)  
[sales@everfocus.com](mailto:sales@everfocus.com)

**International Branch Offices:**  
 Germany, China, Japan

